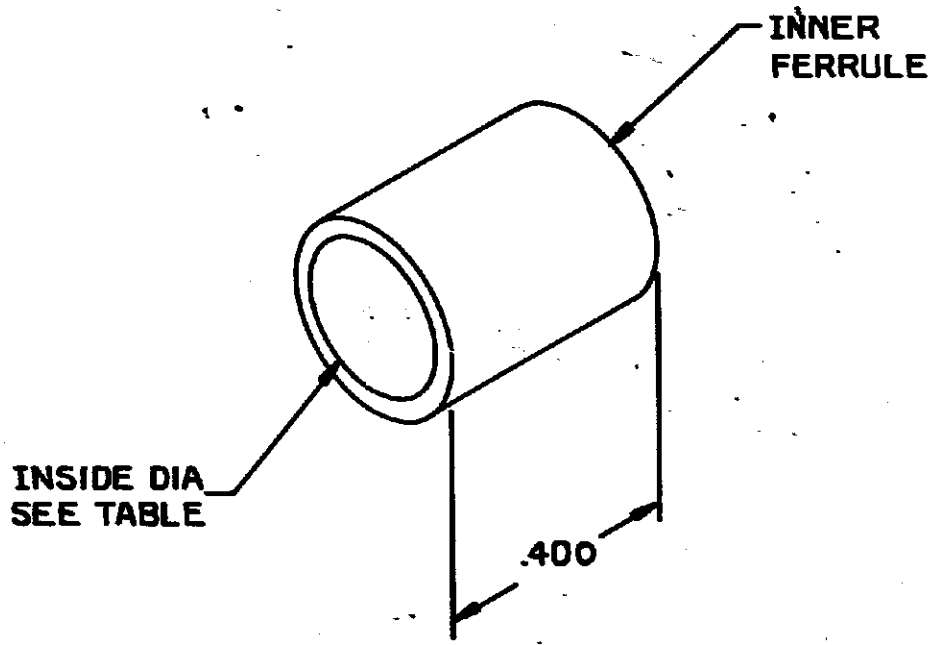


DRAWING MADE IN THIRD ANGLE PROJECTION

THIS DRAWING IS UNPUBLISHED. RELEASED FOR PUBLICATION . 19
 © COPYRIGHT 19 BY AMP INCORPORATED, HARRISBURG, PA. ALL INTERNATIONAL RIGHTS RESERVED. AMP PRODUCTS MAY BE COVERED BY U.S. AND FOREIGN PATENTS AND/OR PATENTS PENDING.

		2		1		LOC AA	Q1512
REVISIONS							
P	F	ZONE	LTR	DESCRIPTION	DATE	APPROVED	
0	✓			RLSD; NPI C86-1	3/6/86	[Signature]	

D
C
B
A



BULK PACKED	.500	-6
	.450	-5
	.400	-4
	.350	-3
	.300	-2
	.250	554725-1

		PACKAGED	INSIDE DIA	PART NO
UNLESS OTHERWISE SPECIFIED DIMENSIONS ARE IN INCHES. TOLERANCES ON: DECIMALS ±.005 ANGLES ±.1	CONTRACT NO	AMP AMP INCORPORATED Harrisburg, Pa.		
	DR	NAME		
	CHK	FERRULE, INNER, SHIELDED CHAMP		
	APPD	SIZE	FSCM NO	DRAWING NO
MATERIAL .017 THK COPPER ZINC ALLOY	DESIGN APPD	B	00779	554725
FINISH	OTHER APPD	SCALE 4:1		SHEET 1 OF 1

AMP 1470-17

CUSTOMER DRAWING